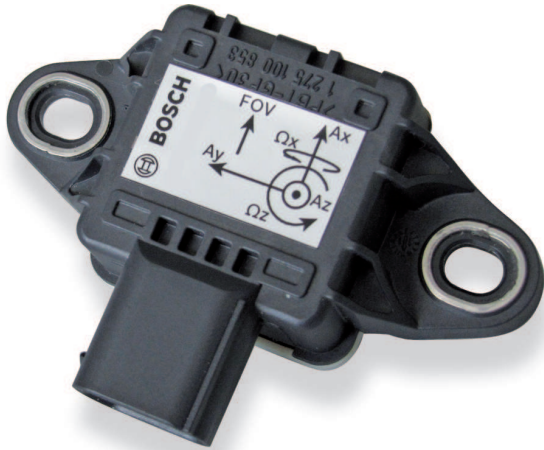


# Inertial Measurement Unit MM5.10



- ▶ Application 1:  $\pm 163^\circ/\text{s}$  (roll rate/ yaw rate)
- ▶ Application 2:  $\pm 4.2 \text{ g}$  (X, Y and Z acceleration)
- ▶ Weight w/o wire: 35 g
- ▶ Size: 80 x 56 x 21 mm
- ▶ Power supply: 7 to 18 V

The MM5.10 was designed to measure the physical effects of rotational and linear acceleration. In order to achieve this, the sensor includes MEMS measuring elements connected to an appropriate integrated circuit.

A rotational acceleration around the integrated sensing elements generates a Coriolis force which changes the internal capacity of the micro machined sensing parts. Furthermore, a pure surface micro machined element is used to measure the vehicle linear acceleration in all 3 axis. This combination of rotational and linear acceleration sensors enables a precise measurement of the vehicle dynamics. The main feature and benefit of this sensor is the combination of 3 linear and 2 rotational accelerometers and its high speed 1 Mbaud CAN-signal output.

## Application

Application I	$\pm 163^\circ/\text{s}$ (roll rate/yaw rate)
Application II	$\pm 4.2 \text{ g}$ (X, Y and Z acceleration)
Operating temperature range	-20 to 85°C

## Technical Specifications

### Mechanical Data

Weight w/o wire	35 g
Size	80 x 56 x 21 mm

### Electrical Data

Power supply	7 to 18 V
Max input current	90 mA
CAN speed	1 Mbaud or 500 kbaud

## CAN Message

### CAN ID 01 0x174

Byte	Value
0	Yaw rate
1	
2	Reserved
3	
4	Acc Y-axis
5	
6	Reserved
7	Unused

### CAN ID 02 0x178

Byte	Value
0	Roll rate
1	
2	Reserved
3	
4	Acc X-axis
5	
6	Reserved
7	Unused

### CAN ID 03 0x17C

Byte	Value
0	Reserved
1	
2	Reserved
3	
4	Acc Z-axis

5	
6	Reserved
7	Unused

### Characteristic

#### Characteristic Application I

Measuring range	$\pm 160^\circ/\text{s}$
Over range limit	$\pm 1,000^\circ/\text{s}$
Absolute physical resolution	$0.1^\circ/\text{s}$
Cut-off frequency (-3 dB)	15 Hz; 30 Hz; 60 Hz

#### Characteristic Application II

Measuring range	$\pm 4.2 \text{ g}$
Over range limit	$\pm 10 \text{ g}$
Absolute physical resolution	$0.01 \text{ g}$
Cut-off frequency (-3 dB)	15 Hz; 30 Hz; 60 Hz

### Connectors and Wires

Connector (1)	AMP 114-18063-076
Mating connector (1)	F02U.B00.435-01
Pin 1	Gnd
Pin 2	CANL
Pin 3	CANH
Pin 4	UBat
Wire with open end (2)	
Red wire	UBat
Black wire	Gnd
White wire	CANH
Blue wire	CANL
Connector (3)	ASL606-05PC-HE
Mating connector (3)	ASL006-05SC-HE
Pin 1	UBat
Pin 2	Gnd
Pin 3	CANH
Pin 4	CANL
Pin 5	Not connected
Sleeve	DR-25
Wire size with open end (2)	4 x AWG24
Wire length L	15 to 100 cm

### CAN Parameters

Byte order	LSB (Intel)
CAN speed	1 Mbaud or 500 kbaud
Bit mask	unsigned
Offset (all signals)	0x8000 hex
Quantization Yaw Rate	$0.005 [^\circ/\text{s}/\text{digit}]$
Quantization Roll Rate	$0.005 [^\circ/\text{s}/\text{digit}]$

Quantization Acc X-axis	0.0001274 [g/digit]
Quantization Acc Y-axis	0.0001274 [g/digit]
Quantization Acc Z-axis	0.0001274 [g/digit]

### Installation Notes

Mounting position: Connector opposite to driving direction.

The MM5.10 can be connected directly to most control units and data logging systems.

Avoid abrupt temperature changes.

For mounting, use only the integrated fixing holes.

Ensure that the environmental conditions do not exceed the sensor specifications.

You will find further application hints in the offer drawing at our homepage and calibration sheet.

Deliver the calibration sheet with your order placement.

Note:

CAN ID 0x0170 (Rx) or 0x75 (Rx) is used for synchronization and configuration of the sensor (SYNC). Make sure that the CAN ID 0x170 (Rx) or 0x75 (Rx) is not used in your CAN network by any other device.

### Safety Note

The sensor is not intended to be used for safety related applications without appropriate measures for signal validation in the application system.

### Legal Restrictions

Due to embargo restrictions, sale of this product in Russia, Belarus, Iran, Syria, and North Korea is prohibited.

### Ordering Information

#### Inertial Measurement Unit MM5.10

Without wire (1)

Order number **F02U.V01.511-02**

#### Inertial Measurement Unit MM5.10

Wire with open end (2)

Order number **F02U.V01.511-92**

#### Inertial Measurement Unit MM5.10

Wire with motorsport connector (3)

Order number **F02U.V01.512-03**

#### Inertial Measurement Unit MM5.10 (500 kbaud)

Without wire (1), required for system combination with ECU MS 6 or MS 7

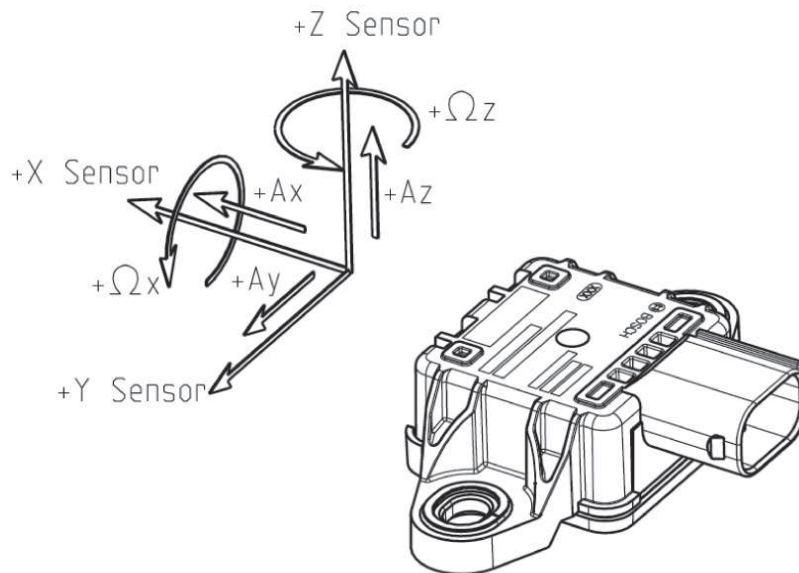
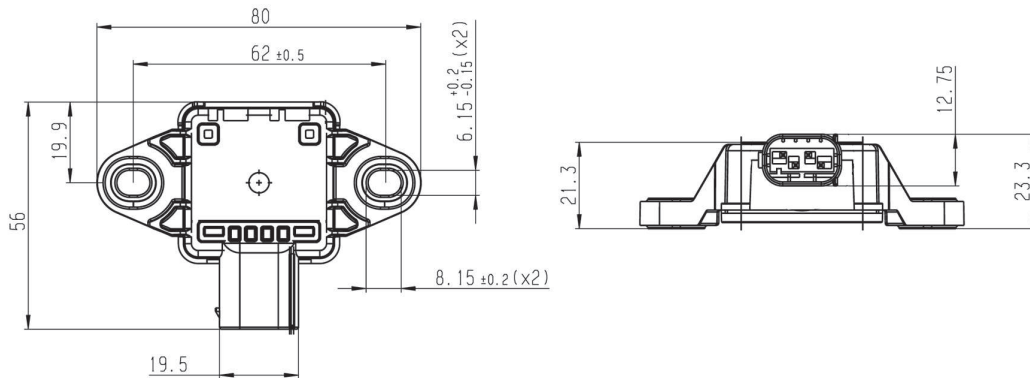
Order number **F02U.V02.589-01**

#### Inertial Measurement Unit MM5.10 (1 Mbaud)

Without wire (1), required for system combination with ECU MS 6 or MS 7

Order number **F02U.V02.590-01**

**Dimensions**



Axis Scheme

**Represented by:**

**Europe:**  
 Bosch Engineering GmbH  
 Motorsport  
 Robert-Bosch-Allee 1  
 74232 Abstatt  
 Germany  
 Tel.: +49 7062 911 9101  
 Fax: +49 7062 911 79104  
 motorsport@bosch.com  
 www.bosch-motorsport.de

**North America:**  
 Bosch Engineering North America  
 Motorsport  
 38000 Hills Tech Drive  
 Farmington Hills, MI 48331-3417  
 United States of America  
 Tel.: +1 248 876 2977  
 Fax: +1 248 876 7373  
 motorsport@bosch.com  
 www.bosch-motorsport.com

**Asia-Pacific:**  
 Bosch Engineering Japan K.K.  
 Motorsports Department  
 1-9-32 Nakagawachuo, Tsuzuki-ku  
 Yokohama-shi  
 Kanagawa, 224-8601  
 Japan  
 Tel.: +81 45 605 3032  
 Fax: +81 45 605 3059  
 www.bosch-motorsport.jp

**Australia, New Zealand and South Africa:**  
 Robert Bosch Pty. Ltd  
 Motorsport  
 1555 Centre Road  
 Clayton, Victoria, 3168  
 Australia  
 Tel.: +61 (3) 9541 3901  
 motor.sport@au.bosch.com